



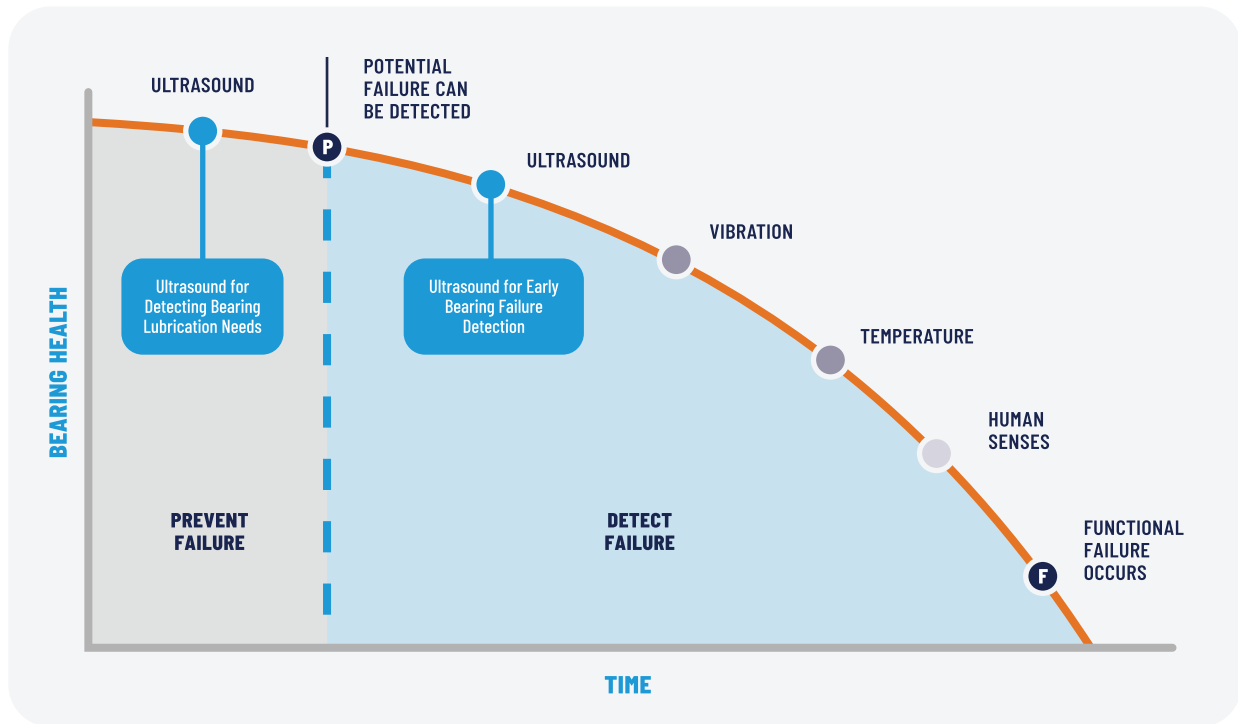
THIS CHANGES EVERYTHING.

AGAIN

Bearing Health Monitoring
and Automatic Precision
Lubrication Unified in One
Wireless Solution

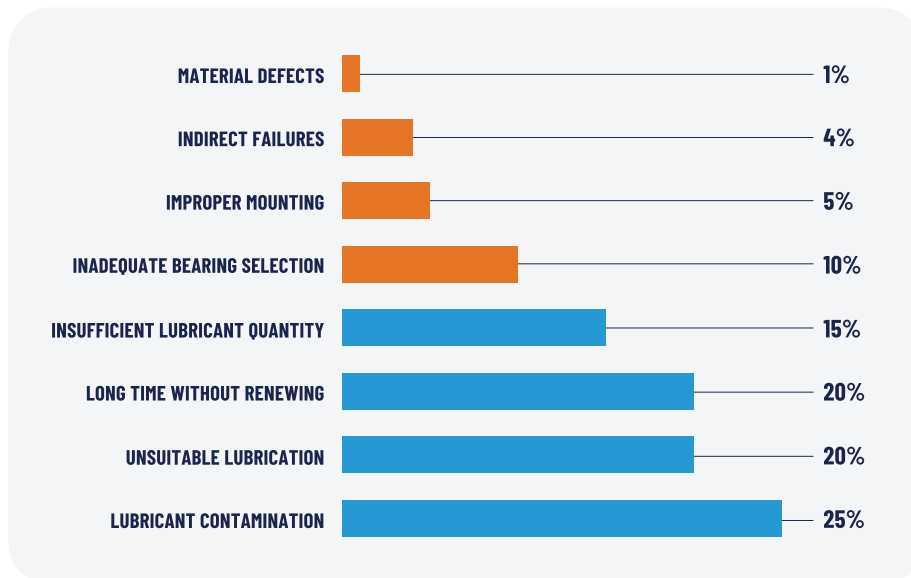


DETECTING AND PREVENTING BEARING FAILURES WITH A SINGLE SYSTEM



While most technologies identify faults and cracks only after they've progressed, ultrasound excels by spotting these issues in their earliest phases, including crucial lubrication needs.

Not only does ultrasound act as a frontline defense against bearing failure monitoring, but it also actively aids in preventing the leading cause of bearing failure by pinpointing precise lubrication requirements.



Up to
80%
of premature bearing failures can be traced to a problem with lubrication.

* SKF Bearing Corporation, Bearing Failures and Their Causes

ONTRAK WIRELESS OVERVIEW



UE INSIGHTS

Cloud or on-premises dashboard and alerting platform.



ONTRAK BT GATEWAY

Edge analytic gateway.



950BT

Wireless ultrasound, vibration, speed and temperature sensor.

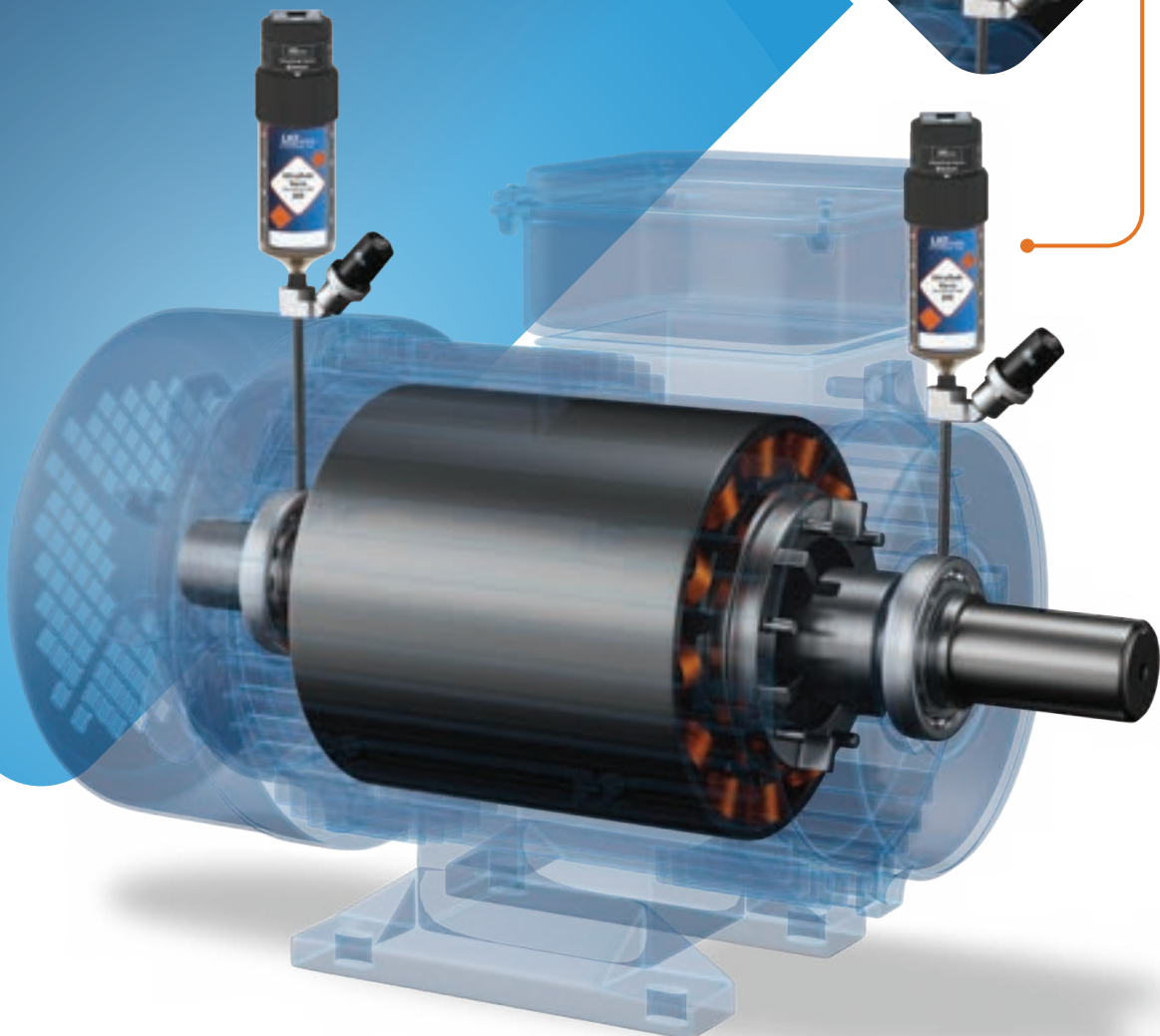


ULTRATRAK VARIO

Wireless single point lubricator.

SIMPLIFIED PRECISION LUBRICATION: ELIMINATING GUESSWORK AND TIME WASTE

By continuously monitoring the bearing with ultrasound, vibration, and temperature sensors, the OnTrak Wireless solution integrates formerly separate technologies - condition sensors and remote lubricators - into one cohesive system, eliminating all the guesswork and non-value-added tasks from precision lubrication.



COMBINING MULTIPLE TECHNOLOGIES FOR COMPREHENSIVE BEARING MANAGEMENT

Engineered with an ultrasound-first approach and enriched by vibration and temperature capabilities, the 950BT stands unparalleled in detection and prevention. Its capability to ultrasonically 'hear' your bearings anytime, anywhere elevates the 950BT to a new standard of trust in bearing health assessment.

ULTRASOUND SENSOR

Measuring bearing friction and impacting for precise health and lubrication insights.

VIBRATION SENSOR

Velocity and acceleration measurements for comprehensive bearing health assessment.

AUDIO ON-DEMAND

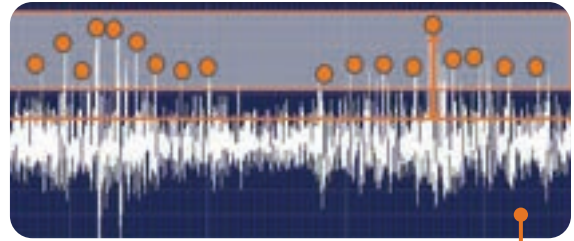
Hear your bearing health, anytime, anywhere.

TEMPERATURE

Monitoring bearing surface temperature for enhanced equipment health insights.



CUTTING THROUGH THE COMPLEXITY OF BEARING HEALTH AND LUBRICATION



IMPACT SENSE™

Measures the impacting in the bearing, providing an easy-to-understand severity rating of the bearing's health.

FRICION SENSE™

Measures the friction in the bearing to precisely determine lubrication needs and assess the overall health of the bearing.



EXPERIENCE THE ONTRAK DIFFERENCE

Key Features	OnTrak Wireless	Traditional Condition Monitoring Systems
Detect Under & Over Lubrication	✓	✗
Lubricate Autonomously Based on Bearing Friction	✓	✗
Slow Speed Bearing Applications	✓	✗
Detect Common Machine Faults with Vibration	✓	✓
Detect Common Machine Faults with Temperature	✓	✓
AI- Driven Fault Detection	✓	✓
Expert Remote Monitoring	✓	✓
Integration into ERP or CMMS	✓	✓
Customer Hosted Cloud Deployment Option	✓	✗
On-Premises Deployment Option	✓	✗

Unlike standard monitoring systems that **simply monitor**, OnTrak Wireless actively identifies and tackles the primary cause of bearing failures through **automatic, condition-based lubrication**.

Multiple deployment options for **enterprise configurations**.

DETECTION AND UNMATCHED PREVENTION: ENHANCING EQUIPMENT RELIABILITY

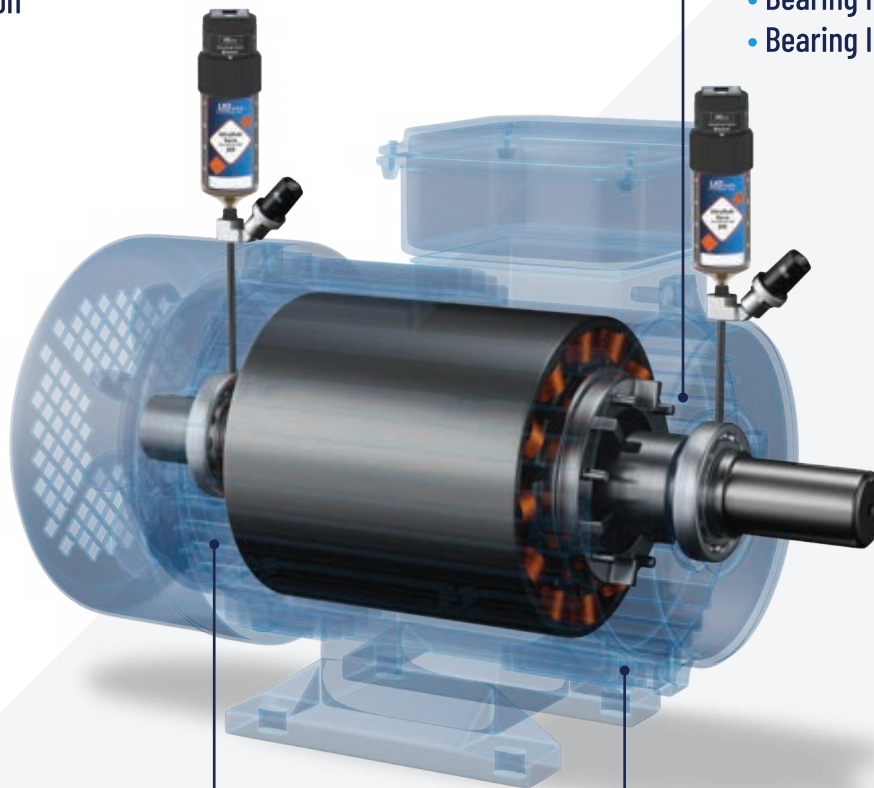
Leading with ultrasound and enhanced by vibration and temperature metrics, the 950BT detects the most prevalent rotating asset defects in a single solution, proactively addressing the primary cause of failures: lubrication.

PRECISION LUBRICATION

- Condition-Based Automatic Lubrication

BEARING FAULTS

- Early Stage Bearing Defect
- Bearing Mechanical Defect
- Bearing Impacting Severity



LUBRICATION FAULTS

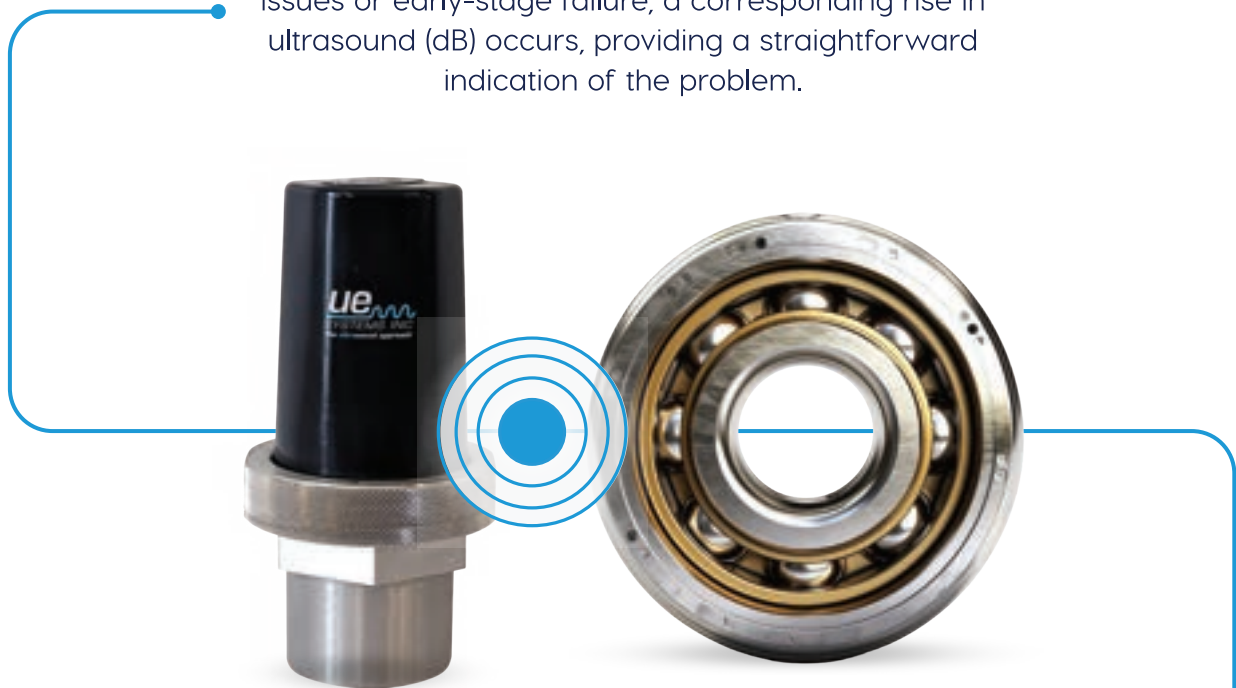
- Lack of Lubrication
- Over Lubrication

MACHINE FAULTS

- Misalignment
- Mechanical Looseness
- Imbalance
- Belt Issues

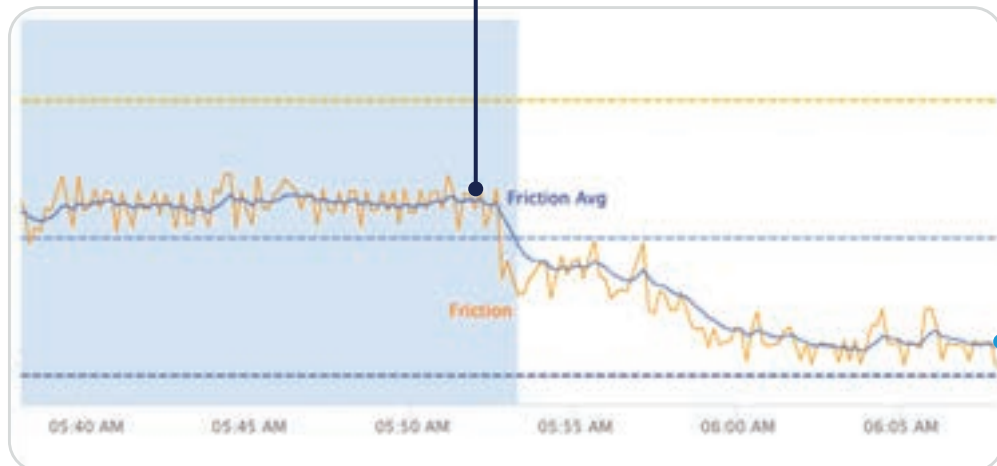
ULTRASOUND-BASED BEARING FRICTION MONITORING

As bearing friction increases due to lubrication issues or early-stage failure, a corresponding rise in ultrasound (dB) occurs, providing a straightforward indication of the problem.



PRECISION LUBRICATION MADE SIMPLE

Lubrication added



ONTRAK WIRELESS CONNECTIVITY

With a remarkable 1,300 ft range in an open space, the OnTrak Wireless Gateway is built for tough settings with an IP66 rating and fortified security via an integrated TPM chip. Connect to 40 devices within a 400-meter radius. It's bundled with a 12V DC adapter, wallmount kit, and offers Power over Ethernet. Opt for Wi-Fi, Ethernet, or an added cellular dongle for versatile connectivity.



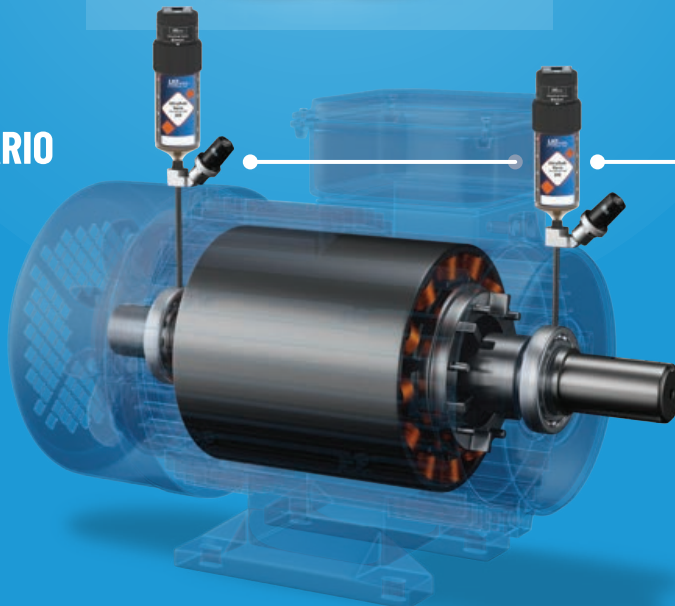
UE INSIGHTS
(cloud or
on premises)

**ETHERNET
WI-FI
CELLULAR**



**ONTRAK WIRELESS
BT GATEWAY**
(up to 40 devices per
gateway)

**ULTRA-TRAK
950BT SENSOR
& ULTRATRAK VARIO
SINGLE POINT
LUBRICATOR**



**UP TO
1,300 FEET**

UE INSIGHTS



An enterprise-grade platform designed for bearing condition monitoring and precision lubrication, UE Insights presents browser-based visualizations for any asset. Customize your view with adaptable dashboards, leveraging drag-and-drop features and pre-built visuals. Beyond monitoring, its machine learning-driven anomaly detection identifies unusual operations by establishing performance baselines.

PRIORITY OVERVIEW

Highlight critical assets needing attention throughout your entire organization.

INSIGHTFUL INTELLIGENCE

Transforms raw data into comprehensible, actionable insights for a complete perspective.

GUIDED SOLUTIONS

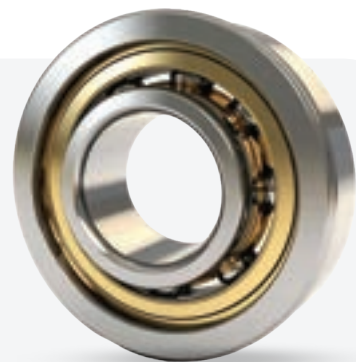
Receive suggested remediation actions for identified issues.

EFFICIENCY UNLEASHED: SAVING TIME, GREASE, AND BEARING FAILURES

The OnTrak Wireless revolutionizes bearing monitoring and management. By eliminating 95% of manual lubrication tasks compared to traditional practices, OnTrak Wireless users often experience significant reductions in grease usage, all while prolonging the lifespan of their bearings.

30%

Decrease in grease
consumption



95%

Decrease in manual
lubrication tasks

65%

Decrease in premature
bearing failure



4 STEPS TO PRECISION BEARING MANAGEMENT

STEP 1 ASSET SELECTION

Collaborating with our experts, we assist you in choosing the ideal equipment for implementing the OnTrak Wireless system.

STEP 2 SYSTEM DESIGN

Tailoring a perfect system to match your equipment, we consider everything from distances to fittings, ensuring a seamless fit.

STEP 3 INSTALLATION

Upon receiving the green light, we handle all aspects of installation and commissioning, guaranteeing optimal system performance from day one.

STEP 4 OPTIMIZE BEARING LIFE

Optimize Bearing Lifespan and Performance with remote precision lubrication and bearing health monitoring as a service.

